

Central Electrical Unit

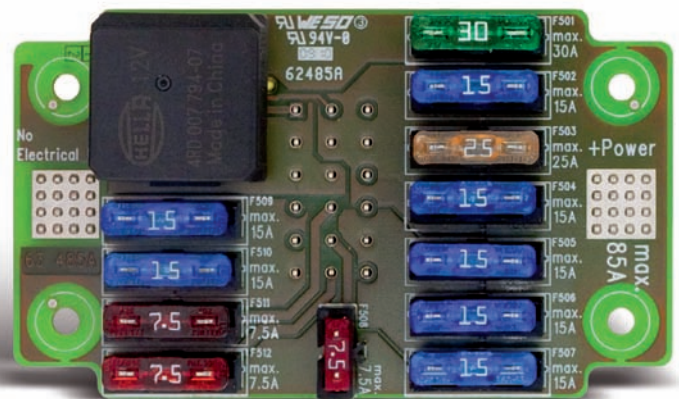
12-1 Module

Ref : 63485A

REDLINE

Features

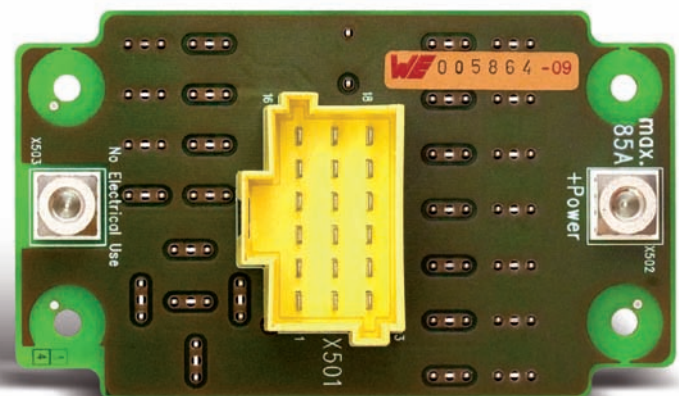
- Power supply 12 or 24 V onto power element (+Power)
- 10 ATO fuseholders (up to 25 A)
- 1 ATO fuseholder (up to 30 A) for relay protection
- 1 mini-fuseholder (up to 7,5 A)
- 1 mini relay base
- Cable harness connection on the rear side of the module via JPT/MCP compatible, 3 row/ 18 way connector



Front View

Options

- Fly wheel diode (SM4007) in parallel of relays coil
- Fuses or circuit breakers
- Frame for modular board assembly
- Standard relays



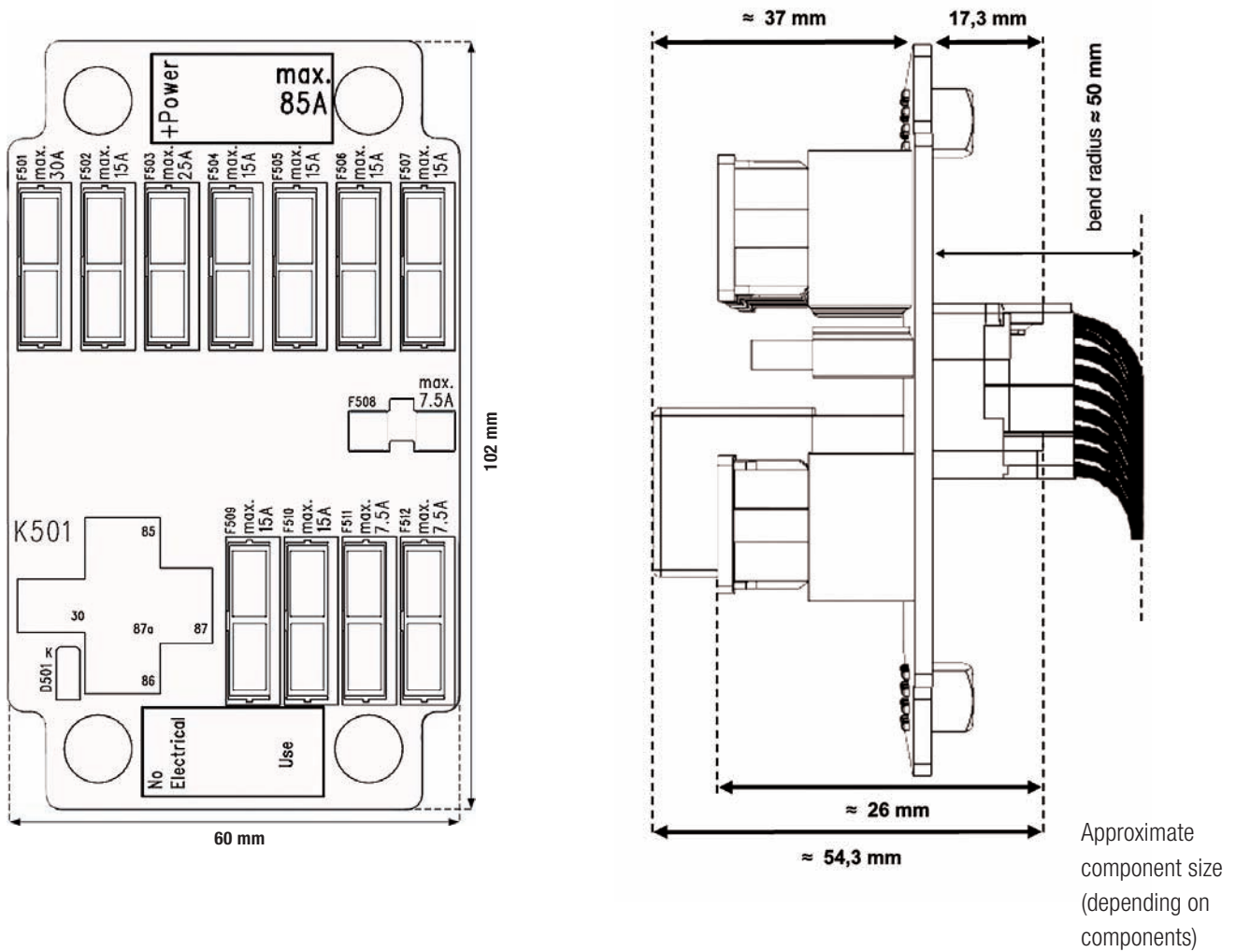
Rear View

Applications

Common functions such as lights, fuel pump, radio, clock, accessories, HVAC, ABS, lightning etc.

Central Electrical Unit 12-1 Module

Dimensions



Approximate component size (depending on components)

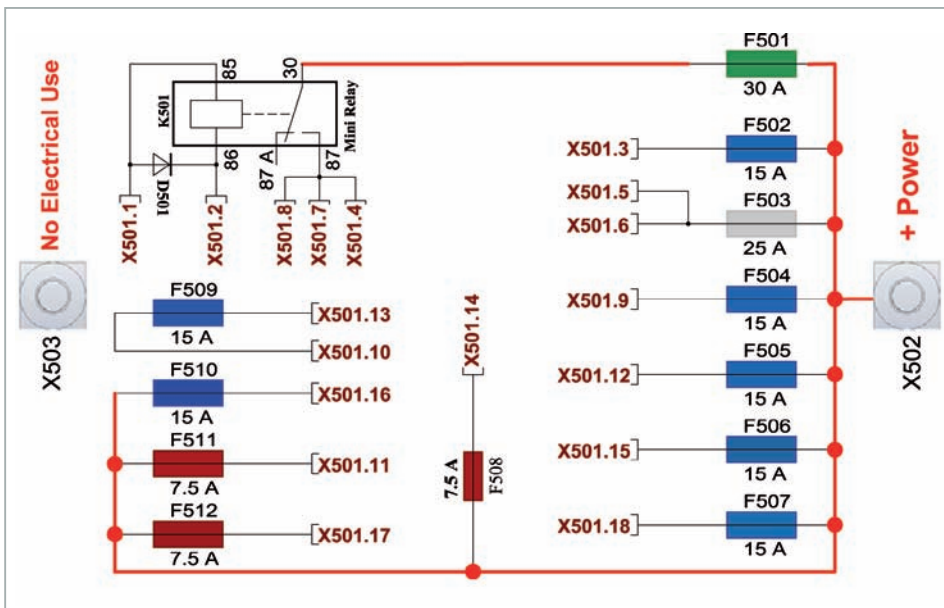
Technical Data

Temperature range	-40°C to +80°C
Max. supply current	Max. 100 A by 65°C ambient Max. 85 A by 80°C ambient
Output connection	JPT/MCP compatible, 3 row/ 18 way yellow connector
Input connection (power stud)	Power element female M5 16 pins Max. mounting torque: 2,2 Nm
Recommended wire section*	Current ≤ 15A: 7,5A per mm ² Current > 15A: 5A per mm ²

* Refer to the selected cable specification

Central Electrical Unit 12-1 Module

Electrical Schematic



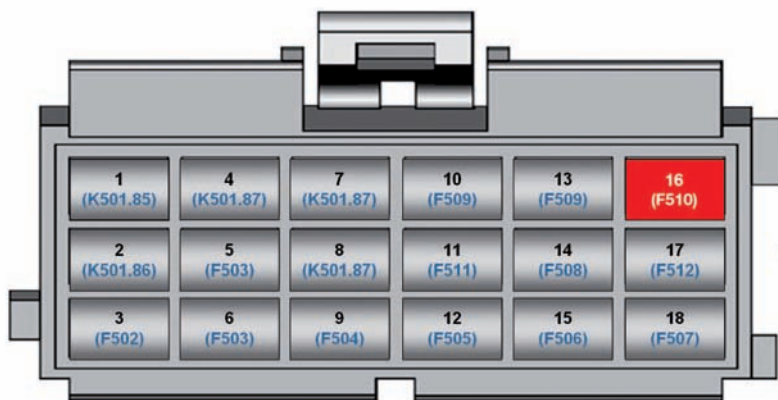
! Max. current on board should not exceed 85 A

Fuse Rate Table

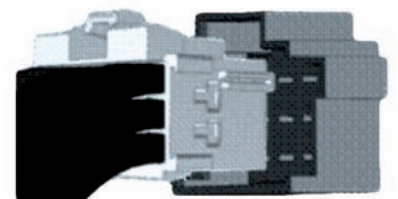
Fuse connected to +Power	Amperate Max.
2 ATO 1 MINI	7.5 A
6	15 A
1	25 A
1	30 A

Stand alone fuse	Amperate Max.
1	15 A

Connector: 1 yellow JPT 18 (X501)



Female connector required for cable harness connection (view on cable entry)



Male Plug on board

Pin outs on the connector correspond to the associated component on the board. (e.g.: component F510 is connected to pin 16 from connector X501)