

Würth Elektronik ICS GmbH & Co. KG

Intelligent Power & Control Systems

Gewerbepark Waldzimmern · Würthstraße 1 · 74676 Niedernhall · Germany

Phone: +49 7940 9810-0 · Fax: +49 7940 9810-1099

ics@we-online.com · www.we-online.com/ics



## Central Electrical Unit

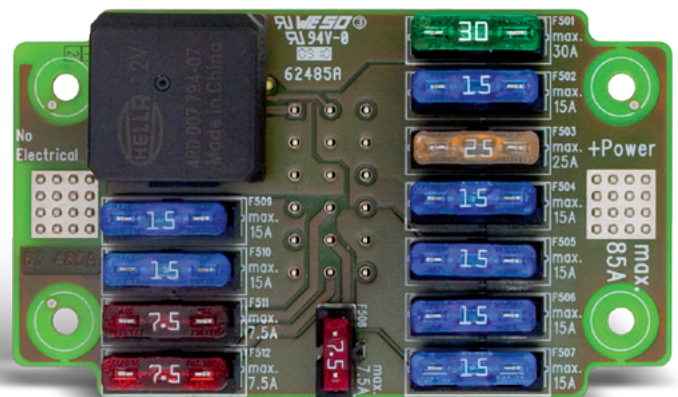
# 12-1 Module

Ref : 63485A

REDLINE

## Features

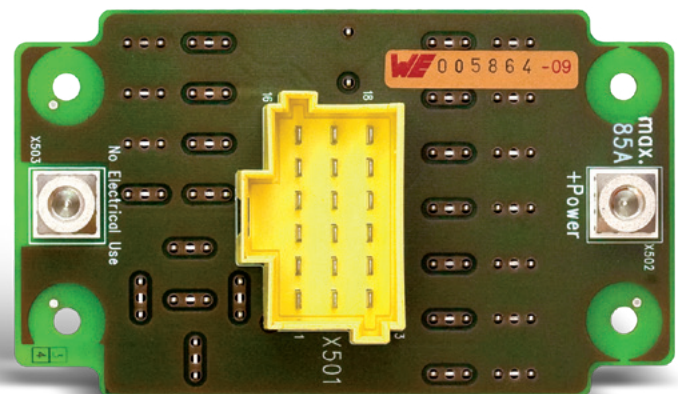
- Power supply 12 V or 24 V onto Powerelement (+Power)
- 10 ATO fuseholders (up to 25 A)
- 1 ATO fuseholder (up to 30 A) for relay protection
- 1 MINI fuseholder (up to 7.5 A)
- 1 mini relay base
- Cable harness connection on the rear side of the module via JPT/MCP compatible, 3 row / 18 way connector



Front View

## Options

- Fly wheel diode (SM4007) in parallel of relay coil
- Installation of fuses and / or relays according to customer requirements



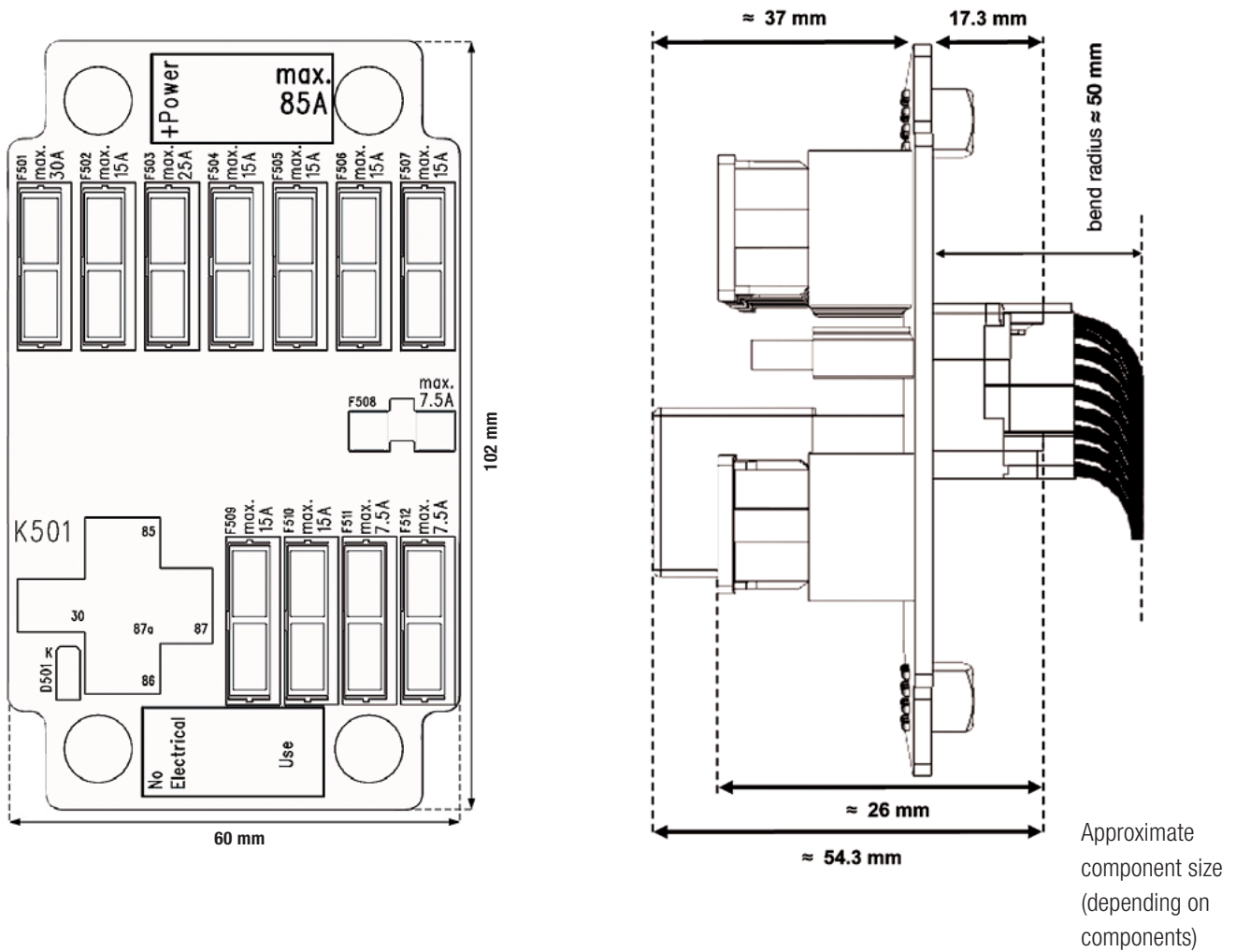
Rear View

## Applications

Switching and protection of common functions in vehicles such as front and rear lights, fuel pump, radio, clock, accessories, air conditioning, ABS, light switches etc.

# Central Electrical Unit 12-1 Module

## Dimensions



Approximate component size (depending on components)

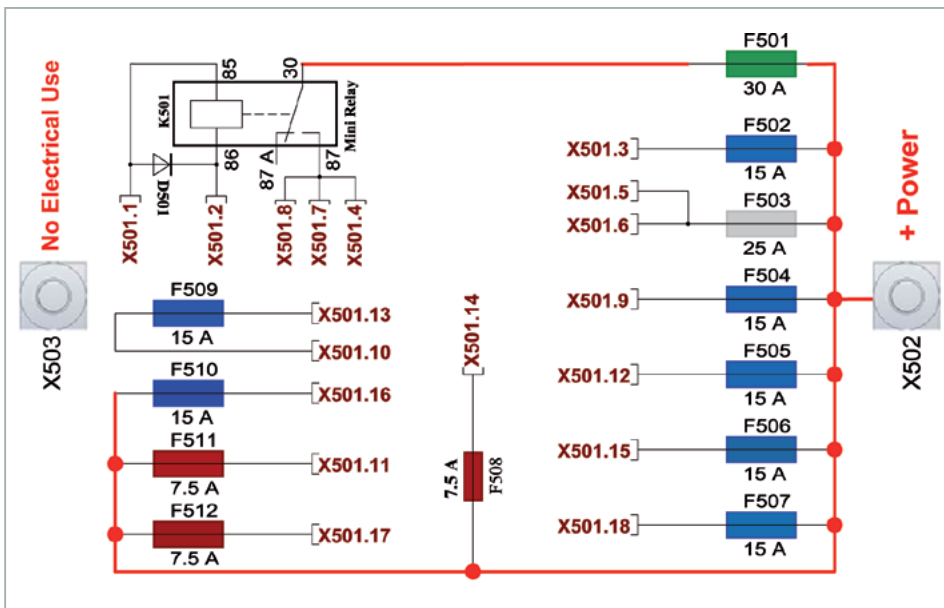
## Technical Data

Temperature range	-40 °C to +80 °C
Max. supply current	Max. 85 A by 80 °C ambient
Output connection	JPT/MCP compatible, 3 row / 18 way yellow connector
Input connection (power stud)	Powerelement female M5 16 pins Max. mounting torque: 2.2 Nm



# Central Electrical Unit 12-1 Module

## Electrical Schematic



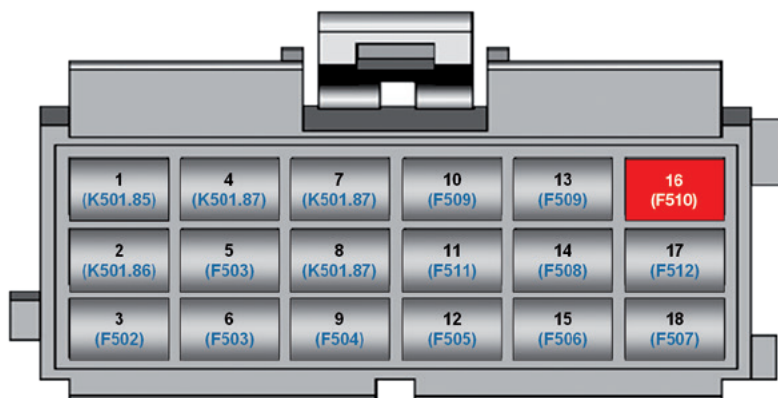
## Fuse Rate Table

Fuse connected to +Power	Amperate Max.
2 ATO 1 MINI	7.5 A
6	15 A
1	25 A
1	30 A

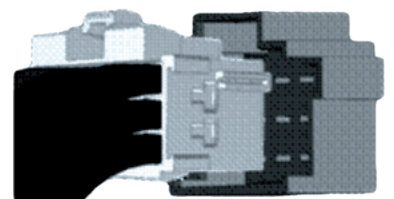
  

Stand alone fuse	Amperate Max.
1	15 A

## Connector: 1 yellow JPT 18 (X501)



Female connector required for cable harness connection (view on cable entry)



Male Plug on board

Pin outs on the connector correspond to the associated component on the board.  
(i.e. component F510 is connected to pin 16 from connector X501)