

# ICCS 6 Way Symbol Cluster

**ICCS 6 Way Symbol Cluster** is part of the ICCS (Intelligent Control and Command Systems) product range. This module has 6 configurable visual signals with different symbols and colors for your purpose.

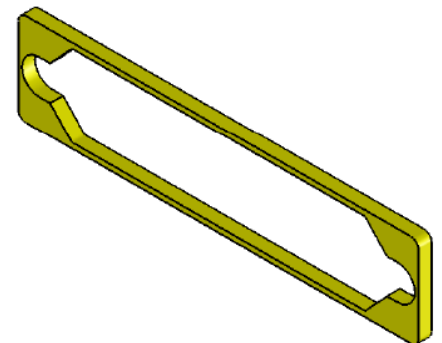
The product is build in and is available in 2 versions:

- Basic version: simple LED indicators
- Filtered version: compliant with main 'lamp check' protocols



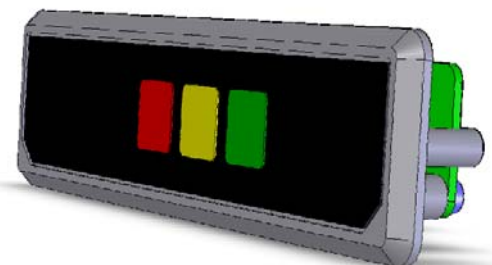
## Features

- 97 mm x 24 mm overall dimensions
- Lower consumption
- Up to 6 different symbol colors
- LED can be driven individually (from positive or ground)
- ECU lamp check compatibility due to integrated filtering
- Front face sealing: possibility to add a seal between the 6 LED cluster and the dashboard



## Advantages

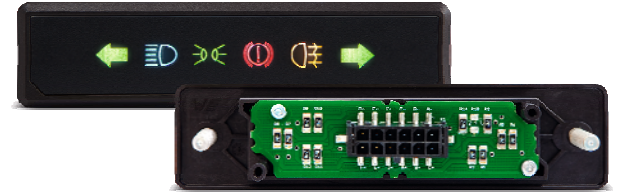
- Compact design
- Easy to assemble
- Increased life time due to LED technology
- Reduced development time and costs
- Customer specific symbols



# ICCS 6 Way Symbol Cluster

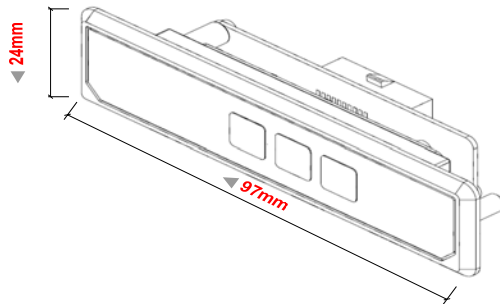
## Technical Data

- Voltage range: 12V or 24V
- Also available without filtering and load system
- Symbol size: 8x8 mm
- 1 connector
- 2 bolts for installation

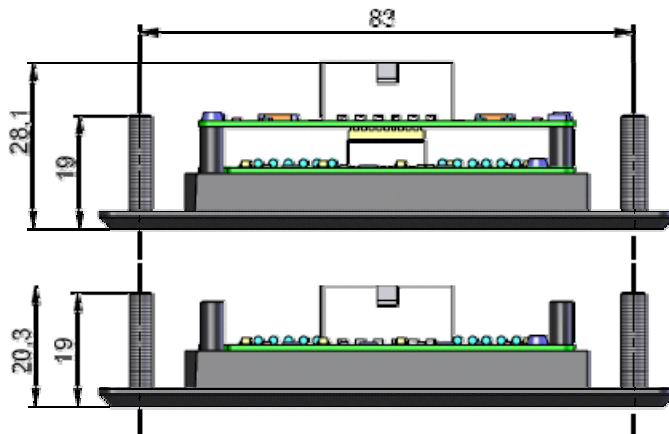


## Dimensions

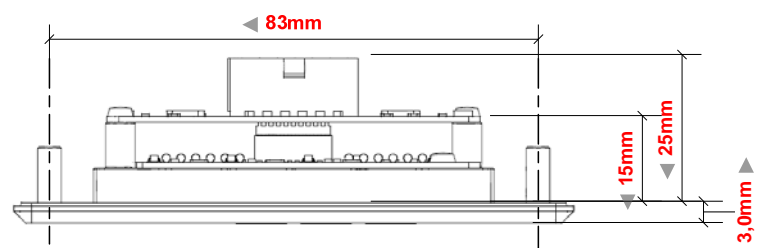
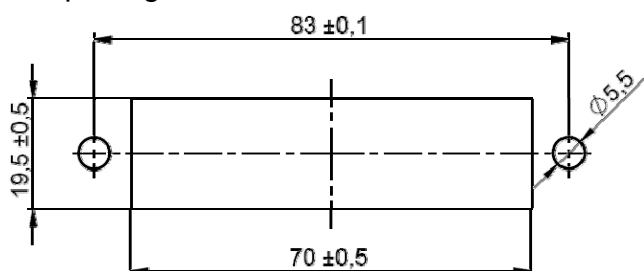
- Overall dimensions



- Filtered version / basic version



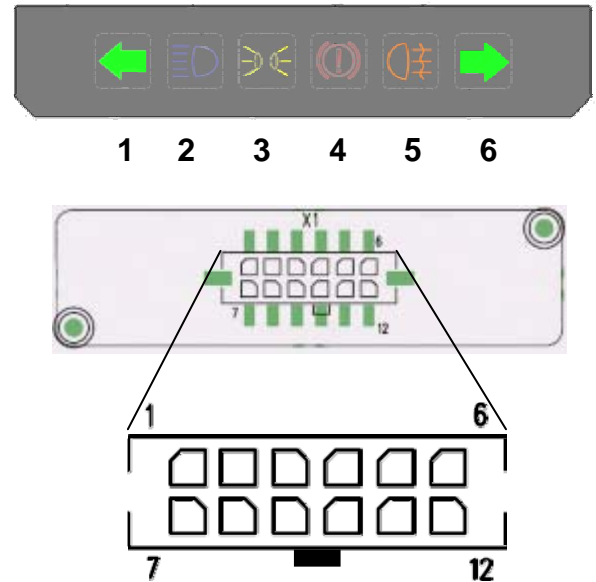
- Opening dimensions



# ICCS 6 Way Symbol Cluster

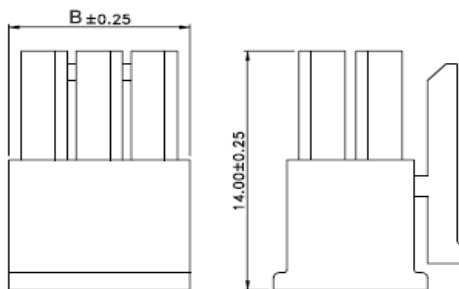
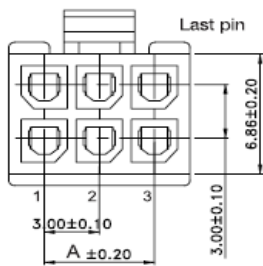
## Pin Assignment

Symbol	Positive	Ground
Pos. 1	10	6
Pos. 2	11	5
Pos. 3	12	4
Pos. 4	1	9
Pos. 5	2	8
Pos. 6	3	7



## Connection

Mating connectors: MPC3 range



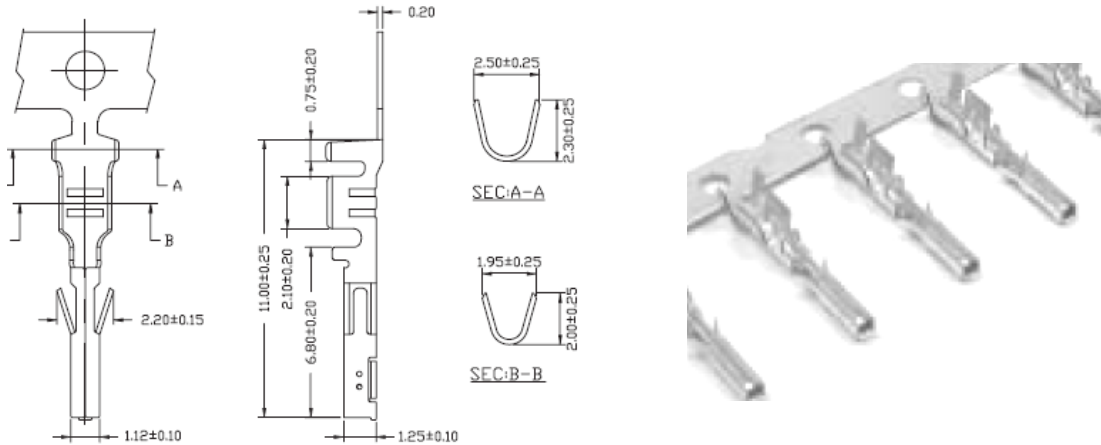
### TECHNICAL CHARACTERISTICS

- MATERIAL**  
 INSULATOR: NYLON 6T  
 FLAMABILITY RATING: UL94-V0  
 COLOR: BLACK  
 CONTACT MATERIAL: COPPER ALLOY  
 CONTACT TYPE: STAMPED  
 CONTACT PLATING: TIN  
 QUALITY CLASS: 25 MATING CYCLES  
 PITCH: 3.00MM
- ENVIRONMENTAL**  
 OPERATING TEMPERATURE: -25 UP TO 105°C  
 COMPLIANCE: LEAD FREE AND ROHS
- ELECTRICAL**  
 CURRENT RATING: 5A  
 WORKING VOLTAGE: 250V AC  
 INSULATOR RESISTANCE: >1000 MOHM  
 DIELECTRIC WITHSTANDING VOLTAGE: 1500V AC/MN  
 CONTACT RESISTANCE: 10 mOHM MAX
- SOLDERING**  
 REFLOW PROCESS ONLY
- PACKAGING**  
 TRAY
- DIMENSION**  
 $A = 3.00 \times (\text{NB. PIN} / 2 - 1)$   
 $B = 3.00 \times (\text{NB. PIN} / 2 + 1) + 0.70$

Order Code	Pins	A (mm)	B (mm)
662 012 113 322	12	15.00	18,85

# ICCS 6 Way Symbol Cluster

Contact Type : 3.00 Female Terminal



Part	Part Number	Package Unit
Crimp contact : AWG 20-24 ( 0.52 to 0.20 mm <sup>2</sup> )	662 001 137 22 DEC	100 pcs/bag

These connectors and contacts are available in stock at Würth Elektronik eiSos.

Crimp tools are also available and recommended to build your own cables harness.