

ICCS – Intelligent Control and Command Systems



PropCAN

ICCS PropCAN – Graphically free programmable SPS for control of proportional solenoids.

The pulse width modulated output (PWM) is used to trigger the proportional valve with the ICCS PropCAN. The valve current is detected by an integrated current measurement and can be accurately controlled. In addition to the valve control, it is possible to integrate the required control logic by graphical programming, thus eliminating further controls. An externally accessible potentiometer can be used for presetting the adjustment values, PWM parameters and a dither signal can be individually configured via software.

Applications

- Controller for mobile hydraulics
- Autonomous mini control system for proportional valves
- Control proportional valves by CAN Bus
- PWM adjustment and control functions

Technical data

General information	
Connector	9 Pins DIN
Dimensions	30 x 30 x 40 mm
Weight	~70 g
Operating temperature	-40 °C to 85 °C
Storage temperature	-40 °C to 85 °C
Ingress protection	IP 53
EMC	E1
Operating voltage V _{supply}	9 V to 30 V DC
Pre-fusing	5 A
Current consumption	30 mA
Processor type	Freescale HCS08
Clock frequency	40 MHz
Flash memory	60 kB
RAM	4 kB
EEPROM	1 kB available for graphical programming

CAN Bus

acc. ISO 11898-2	High speed
acc. CAN 2.0 B	29 Bits extended address identifier
acc. CAN 2.0 A	11 Bits address identifier
Baud rate	20 kBit/s to 1000 kBit/s (125 kBit/s default value)

Inputs/outputs overview

2	Analogue inputs	1x 0-11.4 V DC 12 Bit
1	PWM Valve output	max 2.5 A / max 5 kHz
1	Open collector output or Analogue input	max 2 W 0-11.4 V DC 12 Bit

Every analogue input is also usable as a digital input in the programming software

Inputs/outputs details

Analogue inputs

Input voltage max	V _{supply}
Measuring range	0-11.4 V DC
Resolution	12 Bit
Input resistance	22.6 kΩ

Digital outputs

Load power	max 2 W
------------	---------

PWM outputs

PWM frequency	100 Hz to 5 kHz
Duty cycle	0 to 100 %
Resolution	0.1 %
Load current	Continuous 2.5 A (max 5 A)

Settable min./max. current

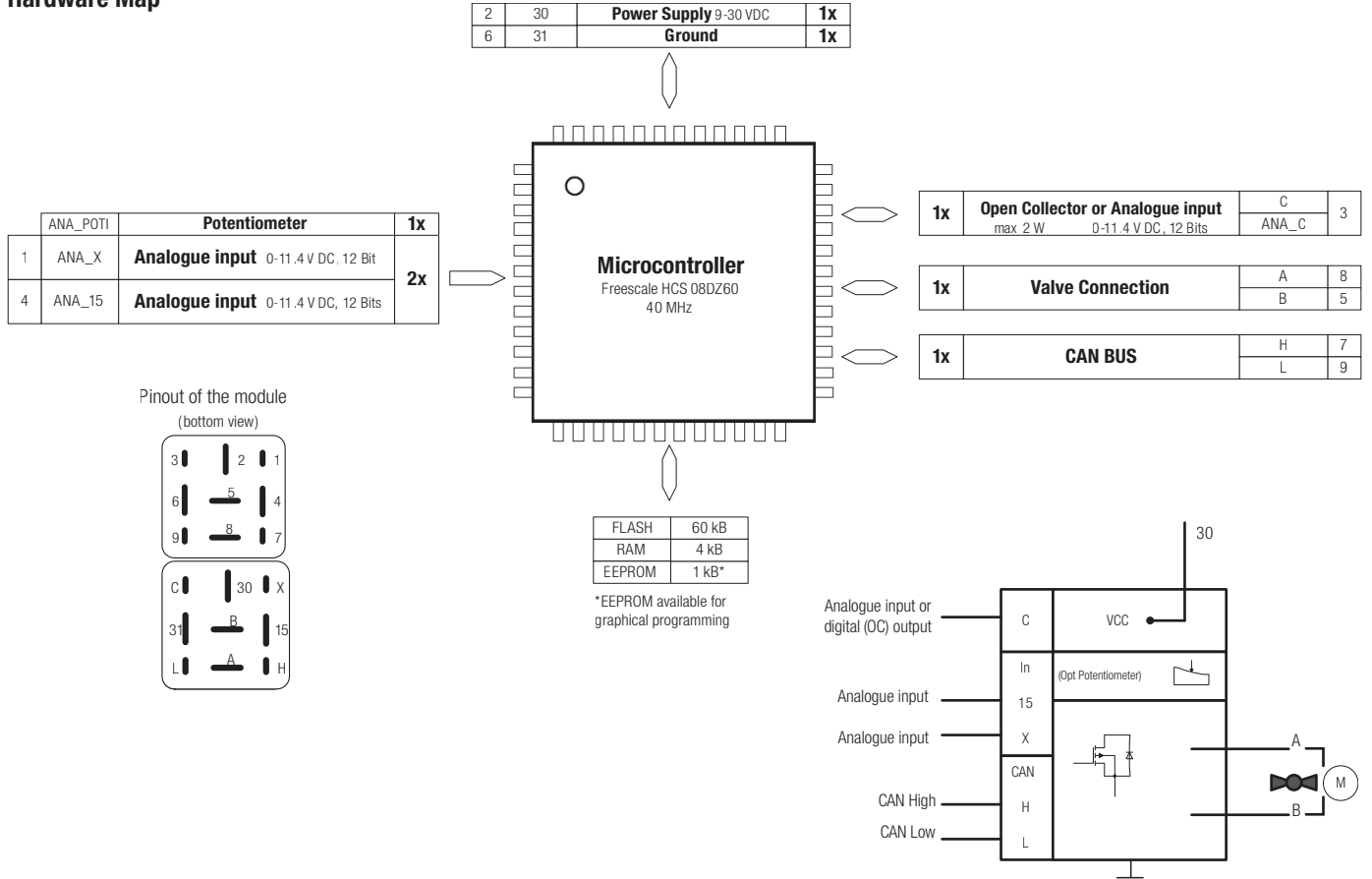
The controller can only be operated with a connected load.

The cable length between controller and valve shall not exceed 2 meters.

ICCS PropCAN



Hardware Map



Pin assignment

Connector PropCAN		
PIN	Description	Function
1	X	Analogue input 0-10 V
2	30	Vcc Main Power Supply 9-30 V DC
3	C	Analogue input 0-10 V or Open collector output
4	15	Analogue input 0-10 V
5	B	Valve Connection Pin B
6	31	Ground
7	H	CAN Bus High
8	A	Valve Connection Pin A
9	L	CAN Bus Low

Dimensions



For more information visit us at www.we-online.com or call +49 7940 9810-0.

Order Information

Available references	Part number WE ICS
ICCS PropCAN with integrated potentiometer	ICS-95159

Würth Elektronik ICS GmbH & Co. KG Intelligent Power & Control Systems

Gewerbepark Waldzimmern
Würthstraße 1
74676 Niedernhall · Germany
Tel. +49 7940 9810-0
Fax +49 7940 9810-1099
ics@we-online.de
www.we-online.com

This item is a standard product, please consider the relevant datasheet notes. The user is responsible for the product's functionality in its purposed system environment.